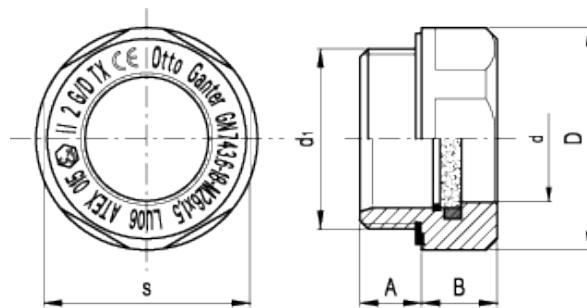


GN 743.6

Oil level indicators



technical informations

Material

Aluminium, glossy finish.

Window

ESG glass.

Flat packing ring

FPM (type VITON[®], registered trade mark of DuPont Dow Elastomers).

Maximum continuous working temperature

150°C.

Features and applications

The European guidelines for explosion protection introduced on 1st July 2003 (ATEX) also cover the explosion protection in the mechanical sector.

Oil level sight glasses GN 743.6 are suitable for use in an explosion risk environment and they comply with the guidelines 94/9/EG.

Detailed documentation is available and forms part of an order for this product.

GN 743.6 oil level indicators can be used on pressurised oil tanks (oil-proof resistance data available on request). The seal between the aluminium body and the glass window is guaranteed by an O-ring in FKM (type VITON[®], registered trade mark of

DuPont Dow Elastomers).

Standard Elements	Main dimensions						Weight
Description	d	d ₁	A	B	D	s	g
GN 743.6-11-M16x1.5	11	M16x1.5	8	8	22	20	8
GN 743.6-14-M20x1.5	14	M20x1.5	8.5	9	26	23	10
GN 743.6-18-M26x1.5	18	M26x1.5	9	11	32	30	21
GN 743.6-18-M27x1.5	18	M27x1.5	9	11	32	30	22
GN 743.6-18-M27x2	18	M27x2	9	11	32	30	22
GN 743.6-11-G3/8	11	G 3/8	8	8	22	20	8
GN 743.6-14-G1/2	14	G 1/2	8.5	9	26	23	11
GN 743.6-18-G3/4	18	G 3/4	9	11	32	30	21



ELESA and GANTER models all rights reserved in accordance with the law. Always mention the source when reproducing our drawings.

STANDARD MACHINE ELEMENTS WORLDWIDE